



---

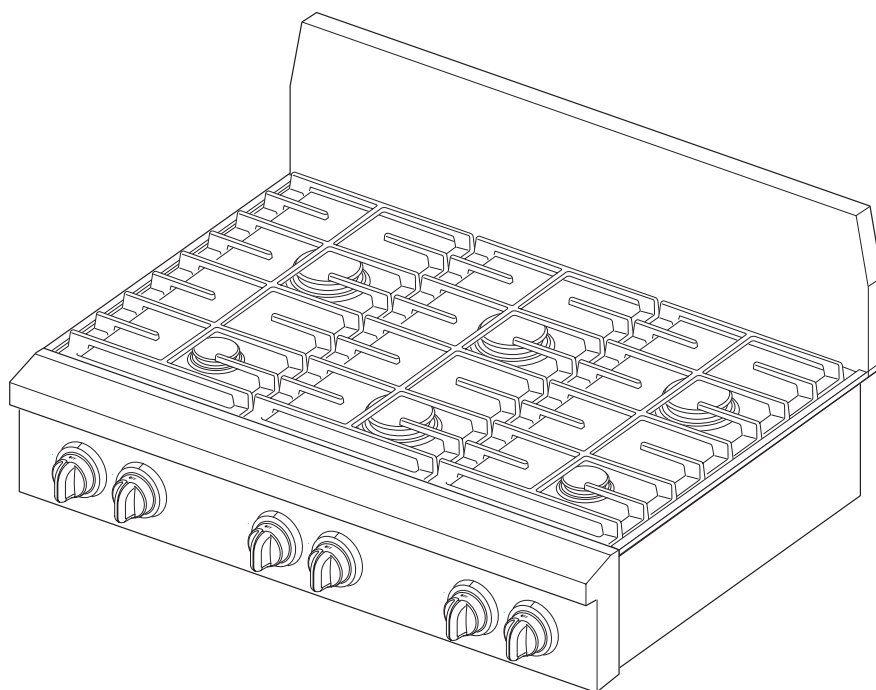
**INSTALLATION INSTRUCTIONS  
36" (91.4 CM) AND 48" (121.9 CM) COMMERCIAL STYLE  
GAS COOKTOP**

---

**INSTRUCTIONS D'INSTALLATION  
TABLE DE CUISSON À GAZ DE 36" (91,4 CM) ET  
48" (121,9 CM) - MODÈLE COMMERCIAL**

---

Table of Contents/Table des matières.....2



**IMPORTANT:**

Save for local electrical inspector's use.

**IMPORTANT :**

À conserver pour consultation par l'inspecteur local des installations électriques.

---

## TABLE OF CONTENTS

<b>COOKTOP SAFETY</b> .....	<b>3</b>
<b>INSTALLATION REQUIREMENTS</b> .....	<b>4</b>
Tools and Parts .....	4
Location Requirements .....	4
Electrical Requirements .....	7
Gas Supply Requirements .....	7
<b>INSTALLATION INSTRUCTIONS</b> .....	<b>9</b>
Install Cooktop .....	9
Make Gas Connection .....	9
Install Grill .....	10
Install Griddle .....	11
Complete Installation .....	12
<b>WIRING DIAGRAMS</b> .....	<b>13</b>

---

## TABLE DES MATIÈRES

<b>SÉCURITÉ DE LA TABLE DE CUISSON</b> .....	<b>15</b>
<b>EXIGENCES D'INSTALLATION</b> .....	<b>16</b>
Outillage et pièces .....	16
Exigences d'emplacement .....	16
Spécifications électriques .....	19
Spécifications de l'alimentation en gaz .....	19
<b>INSTRUCTIONS D'INSTALLATION</b> .....	<b>21</b>
Installation de la table de cuisson .....	21
Raccordement au gaz .....	21
Installation du gril .....	22
Installation de la plaque à frire .....	24
Achever l'installation .....	24
<b>SCHÉMAS DE CÂBLAGE</b> .....	<b>26</b>

# COOKTOP SAFETY

## Your safety and the safety of others are very important.

We have provided many important safety messages in this manual and on your appliance. Always read and obey all safety messages.



This is the safety alert symbol.

This symbol alerts you to potential hazards that can kill or hurt you and others.

All safety messages will follow the safety alert symbol and either the word “DANGER” or “WARNING.”

These words mean:

**⚠ DANGER**

You can be killed or seriously injured if you don't immediately follow instructions.

**⚠ WARNING**

You can be killed or seriously injured if you don't follow instructions.

All safety messages will tell you what the potential hazard is, tell you how to reduce the chance of injury, and tell you what can happen if the instructions are not followed.

**WARNING: If the information in this manual is not followed exactly, a fire or explosion may result causing property damage, personal injury or death.**

- Do not store or use gasoline or other flammable vapors and liquids in the vicinity of this or any other appliance.
- **WHAT TO DO IF YOU SMELL GAS:**
  - Do not try to light any appliance.
  - Do not touch any electrical switch.
  - Do not use any phone in your building.
  - Immediately call your gas supplier from a neighbor's phone. Follow the gas supplier's instructions.
  - If you cannot reach your gas supplier, call the fire department.
- Installation and service must be performed by a qualified installer, service agency or the gas supplier.

**WARNING:** Gas leaks cannot always be detected by smell.

Gas suppliers recommend that you use a gas detector approved by UL or CSA.

For more information, contact your gas supplier.

If a gas leak is detected, follow the “What to do if you smell gas” instructions.

In the State of Massachusetts, the following installation instructions apply:

- Installations and repairs must be performed by a qualified or licensed contractor, plumber, or gasfitter qualified or licensed by the State of Massachusetts.
- If using a ball valve, it shall be a T-handle type.
- A flexible gas connector, when used, must not exceed 3 feet.

---

# INSTALLATION REQUIREMENTS

---

## Tools and Parts

Gather the required tools and parts before starting installation. Read and follow the instructions provided with any tools listed here.

### Tools Needed

- Adjustable wrench
- Tape measure
- Marker or pencil
- Pipe wrench
- Flat-blade screwdriver
- $\frac{15}{16}$ " combination wrench
- Wrench or pliers
- Pipe-joint compound resistant to LP gas
- Noncorrosive leak-detection solution

### Parts Supplied

Check that all parts are included.

- Gas pressure regulator
- Burner grates
- Burner caps
- Simmer plate
- Grill grate (on some models)
- Drip tray (on some models)
- Front spill guard (on some models)
- Wave tray (on some models)
- Wave plate (on some models)
- Backguard
- Island trim

### Parts Needed

Check local codes and consult gas supplier. Check existing gas supply and electrical supply. See "Electrical Requirements" and "Gas Supply Requirements" sections.

## Location Requirements

**IMPORTANT:** Observe all governing codes and ordinances. Do not obstruct flow of combustion and ventilation air.

- It is the installer's responsibility to comply with installation clearances specified on the model/serial rating plate. The model/serial rating plate is located on the underside of the cooktop burner box.
- It is recommended that an overhead vent hood be used with this cooktop. For island installations, a 48" (122 cm) hood is recommended.
- The cooktop should be installed in a location away from strong draft areas, such as windows, doors and strong heating vents or fans.
- All openings in the wall or floor where cooktop is to be installed must be sealed.
- Cabinet opening dimensions that are shown must be used. Given dimensions are minimum clearances.
- Grounded electrical supply is required. See "Electrical Requirements" section. Proper gas supply connection must be available. See "Gas Supply Requirements" section.
- The cooktop is designed to hang from the countertop by its side or rear flanges.
- The gas and electric supply should be located as shown in "Gas and Electric Connection Locations" section so that they are accessible without requiring removal of the cooktop.
- Provide cutout in left rear corner of cutout enclosure as shown to provide clearance for gas inlet, power supply cord, and to allow the rating label to be visible.

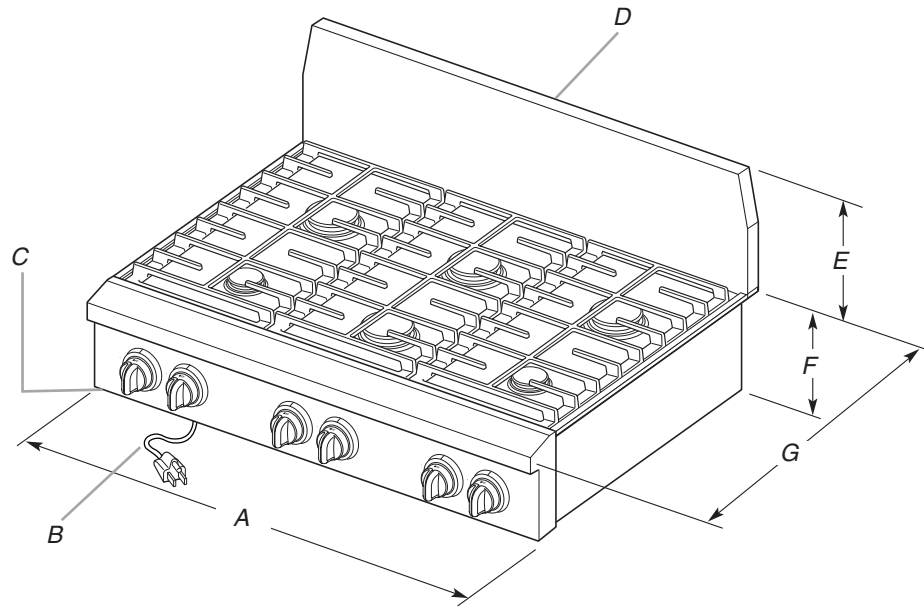
**IMPORTANT:** To avoid damage, check with your builder or cabinet supplier to make sure that the materials used will not discolor, delaminate or sustain other damage.

### Mobile Home - Additional Installation Requirements

The installation of this cooktop must conform to the Manufactured Home Construction and Safety Standard, Title 24 CFR, Part 3280 (formerly the Federal Standard for Mobile Home Construction and Safety, Title 24, HUD Part 280). When such standard is not applicable, use the Standard for Manufactured Home Installations, ANSI A225.1/NFPA 501A or local codes.

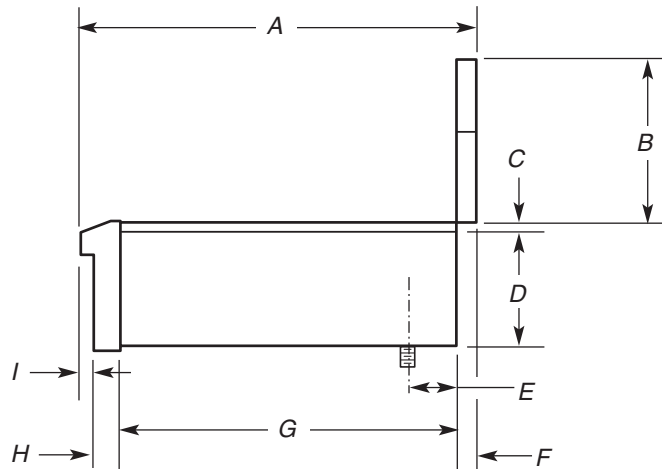
In Canada, the installation of this cooktop must conform with the current standards CAN/CSA-A240-latest edition, or with local codes.

## Product Dimensions



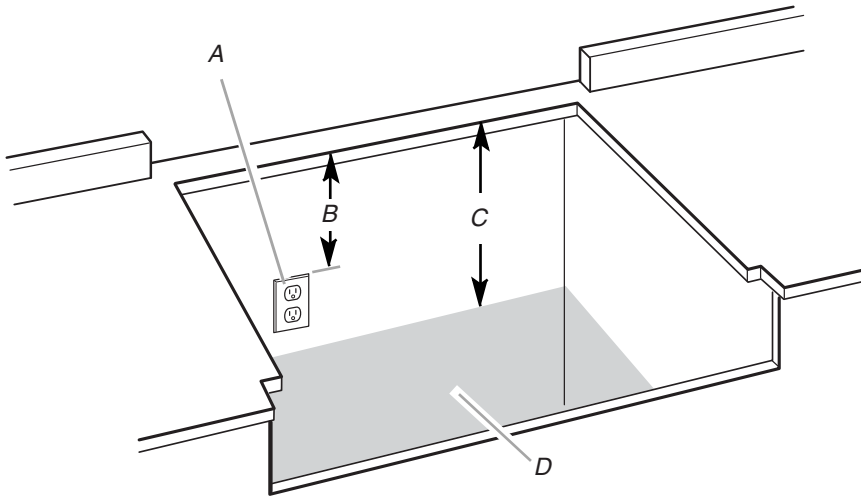
- |  |   |
|--|---|
| <p>A. 36" (91.4 cm) cooktop: 35<sup>7</sup>/<sub>8</sub>" (91.1 cm)<br/>48" (121.9 cm) cooktop: 47<sup>7</sup>/<sub>8</sub>" (121.6 cm)</p> <p>B. 36" (91.4 cm) long 3 prong grounding-type power supply cord</p> <p>C. Model/serial rating plate (located on the underside of the cooktop burner box)</p> | <p>D. Backguard or island trim</p> <p>E. For 48" (121.9 cm) 8 burner model only: 6" (15.2 cm)<br/>all other models: 9" (22.9 cm)</p> <p>F. 7<sup>1</sup>/<sub>2</sub>" (19.1 cm)</p> <p>G. 26<sup>1</sup>/<sub>4</sub>" (66.7 cm)</p> |
|--|---|

### Side View of Cooktop



- |  |  |
|--|--|
| <p>A. 26<sup>1</sup>/<sub>4</sub>" (66.7 cm)</p> <p>B. For 48" (121.9 cm) 8 burner model only: 6" (15.2 cm)<br/>all other models: 9" (22.9 cm)</p> <p>C. <sup>3</sup>/<sub>8</sub>" (9.5 mm)</p> <p>D. 7<sup>1</sup>/<sub>8</sub>" (18.1 cm)</p> | <p>E. Gas inlet is located 1<sup>7</sup>/<sub>8</sub>" (4.8 cm) from back of burner box and 4<sup>7</sup>/<sub>8</sub>" (12.4 cm) in from left-hand side of burner box.</p> <p>F. 1<sup>3</sup>/<sub>16</sub>" (30.2 mm)</p> <p>G. 22" (55.9 cm)</p> <p>H. 2<sup>3</sup>/<sub>16</sub>" (55.6 mm)</p> <p>I. <sup>7</sup>/<sub>8</sub>" (22.2 mm)</p> |
|--|--|

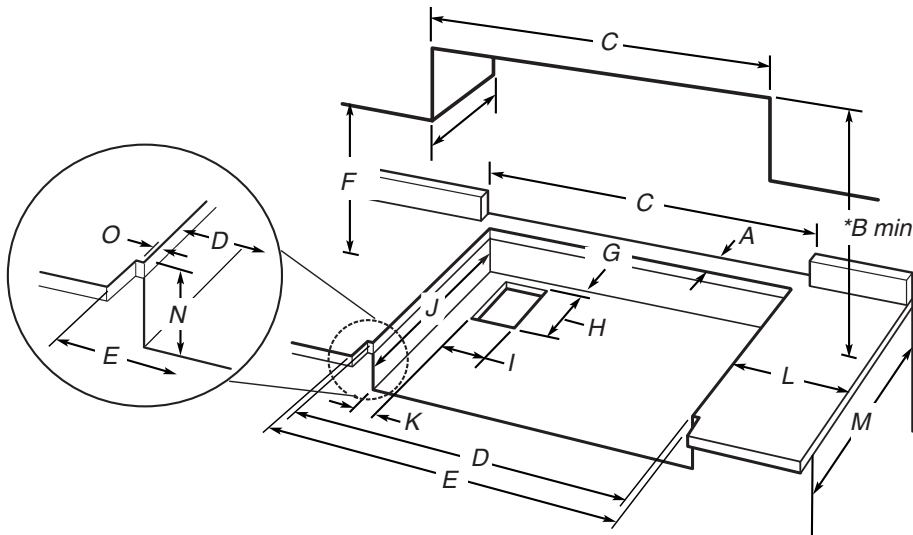
## Gas and Electric Connection Locations



- A. Grounded 3-prong outlet should be located on left-hand side of the cutout 8" (20.3 cm) max. from enclosure sidewall
- B. 10" (25.4 cm) min. clearance from countertop to top of the outlet
- C. 14" (35.6 cm) countertop to the gas supply line
- D. Gas supply line should be located in this area on rear or side walls, or the supply line can come up through the floor.

**NOTE:** Solid side and bottom of cutout enclosure not shown.

## Cabinet Requirements



- A. See chart.
- B. See chart.
- C. See chart.
- D. See chart.
- E. See chart.
- F. 18" (45.7 cm) min. clearance upper cabinet to countertop
- G. 3/4" (1.9 cm) back of cabinet cutout to gas opening cutout
- H. 6 7/8" (16.1 cm) gas opening cutout depth
- I. 4 3/4" (12.1 cm) gas opening cutout width
- J. 22 1/4" (56.5 cm) cabinet cutout depth
- K. 2" (5.1 cm) cabinet side to gas cutout
- L. 12 9/16" (31.3 cm) min. distance on both sides of the cooktop to the side wall or other combustible material above cooking surface
- M. 24" (61.0 cm) cabinet depth
- N. 7 1/4" (18.4 cm) cabinet depth to countertop
- O. Notch to be equal on both sides

Size	Model	A		*B (min.)		C	D	E
		Island trim	Backguard	Island trim	Backguard			
36" (91.4 cm)	KGCP462K	5" (12.7 cm)	1 3/4" (4.4 cm)	48" (121.9 cm)		36" (91.4 cm)	35 1/4" (89.5 cm)	36" (91.4 cm) or 35 7/8" (91.1 cm) for zero clearance fit
	KGCP463K			49" (124.5 cm)				
48" (121.9 cm)	KGCP467J							
	KGCP482K	6" (15.2 cm)	1 3/4" (4.4 cm)	48" (121.9 cm)	49" (124.5 cm)	48" (121.9 cm)	47 1/4" (120.0 cm)	48" (121.9 cm) or 47 7/8" (121.6 cm) for zero clearance fit
	KGCP483K	5" (12.7 cm)			48" (121.9 cm)			
	KGCP484K	6" (15.2 cm)						
KGCP487J	5" (12.7 cm)	5" (12.7 cm)	48" (121.9 cm)					

**\*NOTES:** Dimension "B" can be reduced by 6" (15.2 cm) when bottom of wood or metal cabinet is protected by not less than 0.25" (6.4 mm) flame retardant millboard covered with not less than No. 28 MSG sheet metal, 0.015" (0.4 mm) stainless steel, 0.024" (0.6 mm) aluminum or 0.020" (0.5 mm) copper.

If installing a hood above the cooktop, follow the hood instructions for dimensional clearances above the cooktop surface.

## Electrical Requirements

### **⚠ WARNING**



#### Electrical Shock Hazard

**Plug into a grounded 3 prong outlet.**

**Do not remove ground prong.**

**Do not use an adapter.**

**Do not use an extension cord.**

**Failure to follow these instructions can result in death, fire, or electrical shock.**

**IMPORTANT:** The cooktop must be electrically grounded in accordance with local codes and ordinances, or in the absence of local codes, with the National Electrical Code, ANSI/NFPA 70 or Canadian Electrical Code, CSA C22.1.

This cooktop is equipped with an electronic ignition system that will not operate if plugged into an outlet that is not properly polarized.

If codes permit and a separate ground wire is used, it is recommended that a qualified electrical installer determine that the ground path is adequate.

A copy of the above code standards can be obtained from:

National Fire Protection Association  
One Batterymarch Park  
Quincy, MA 02269

CSA International  
8501 East Pleasant Valley Road  
Cleveland, Ohio 44131-5575

- A 120 volt, 60 Hz, AC only, 15-amp, fused electrical circuit is required. A time-delay fuse or circuit breaker is also recommended. It is recommended that a separate circuit serving only this cooktop be provided.
- Electronic ignition systems operate within wide voltage limits, but proper grounding and polarity are necessary. Check that the outlet provides 120-volt power and is correctly grounded.
- The wiring diagrams are provided with this cooktop. See "Wiring Diagrams" section.

## Gas Supply Requirements

### **⚠ WARNING**



#### Explosion Hazard

**Use a new CSA International approved gas supply line.**

**Install a shut-off valve.**

**Securely tighten all gas connections.**

**If connected to LP, have a qualified person make sure gas pressure does not exceed 14" (36 cm) water column.**

**Examples of a qualified person include:**

**licensed heating personnel,  
authorized gas company personnel, and  
authorized service personnel.**

**Failure to do so can result in death, explosion, or fire.**

Observe all governing codes and ordinances.

**IMPORTANT:** This installation must conform with all local codes and ordinances. In the absence of local codes, installation must conform with American National Standard, National Fuel Gas Code ANSI Z223.1 - latest edition or CAN/CGA B149 - latest edition.

**IMPORTANT:** Leak testing of the cooktop must be conducted according to the manufacturer's instructions.

### **Type of Gas**

#### **Natural Gas:**

This cooktop is design-certified by CSA International for use with Natural gas or, after proper conversion, for use with LP gas.

- This cooktop is factory-set for use with Natural gas. To convert to LP gas, see the Gas Conversion instructions provided in the literature package. The model/serial rating plate located on the left underside of the burner box has information on the types of gas that can be used. If the types of gas listed do not include the type of gas available, check with the local gas supplier.

#### **LP Gas conversion:**

Conversion must be done by a qualified service technician.

No attempt shall be made to convert the cooktop from the gas specified on the model/serial rating plate for use with a different gas without consulting the serving gas supplier. See the Gas Conversion instructions provided in the literature package.

---

## Gas Supply Line

---

- Provide a gas supply line of  $\frac{3}{4}$ " (1.9 cm) rigid pipe to the cooktop location. A smaller size pipe on longer runs may result in insufficient gas supply. Pipe-joint compounds that resist the action of LP gas must be used. Do not use TEFLON<sup>†</sup> tape. With LP gas, piping or tubing size can be  $\frac{1}{2}$ " minimum. Usually, LP gas suppliers determine the size and materials used in the system.

### Flexible metal appliance connector:

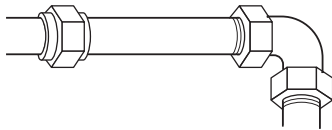
- If local codes permit, use a  $\frac{5}{8}$ " flexible stainless steel tubing gas connector, designed by CSA to connect the cooktop to the rigid gas supply line.



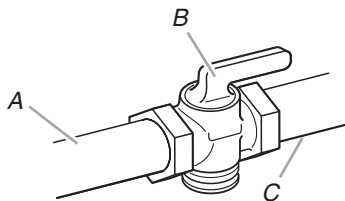
- A  $\frac{1}{2}$ " (1.3 cm) male pipe thread is needed for connection to the female pipe threads of the inlet to the appliance pressure regulator.
- Do not kink or damage the flexible metal tubing when moving the cooktop.

### Rigid pipe connection:

The rigid pipe connection requires a combination of pipe fittings to obtain an in-line connection to the cooktop. The rigid pipe must be level with the cooktop connection. All strains must be removed from the supply and fuel lines so cooktop will be level and in line.



- Must include a shutoff valve:  
The supply line must be equipped with a manual shutoff valve. This valve should be located in the same room but external to the cooktop. It should be in a location that allows ease of opening and closing. Do not block access to shutoff valve. The valve is for turning on or shutting off gas to the cooktop.



- A. Gas supply line  
B. Shutoff valve "open" position  
C. To cooktop

---

## Gas Pressure Regulator

---

The gas pressure regulator supplied with this cooktop must be used. The inlet pressure to the regulator should be as follows for proper operation:

### Natural Gas:

Minimum pressure: 6" (15.2 cm) WCP

Maximum pressure: 7" to 14" (17.8 cm to 35.5 cm) WCP

### LP Gas:

Minimum pressure: 11" (27.9 cm) WCP

Maximum pressure: 14" (35.5 cm) WCP

Contact local gas supplier if you are not sure about the inlet pressure.

---

## Burner Input Requirements

---

Input ratings shown on the model/serial rating plate are for elevations up to 2,000 ft (609.6 m).

For elevations above 2,000 ft (609.6 m), ratings are reduced at a rate of 4% for each 1,000 ft (304.8 m) above sea level (not applicable for Canada).

---

## Gas Supply Pressure Testing

---

### Line pressure testing above $\frac{1}{2}$ psi gauge (14" WCP)

The cooktop and its individual shutoff valve must be disconnected from the gas supply piping system during any pressure testing of that system at test pressures in excess of  $\frac{1}{2}$  psi (3.5 kPa).

### Line pressure testing at $\frac{1}{2}$ psi gauge (14" WCP) or lower

The cooktop must be isolated from the gas supply piping system by closing its individual manual shutoff valve during any pressure testing of the gas supply piping system at test pressures equal to or less than  $\frac{1}{2}$  psi (3.5 kPa).

<sup>†</sup>TEFLON is a registered trademark of E.I. Du Pont De Nemours and Company.



# INSTALLATION INSTRUCTIONS

## Install Cooktop

### **! WARNING**

#### **Excessive Weight Hazard**

**Use two or more people to move and install cooktop.  
Failure to do so can result in back or other injury.**

Write down the model and serial numbers before installing the cooktop. Both numbers are located on the left front underside of the burner box.

Unpack the parts supplied with your cooktop. The parts shipped with the cooktop depend on your model ordered. See "Tools and Parts" section for a complete list parts supplied with your cooktop.

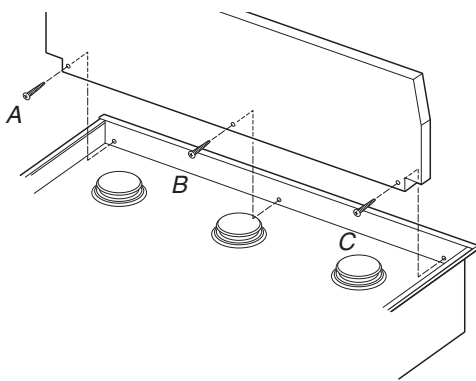
Decide on final location for the cooktop.

The pressure regulator and flexible stainless steel gas supply line connector can be assembled to the cooktop now or after the cooktop is installed in the cutout. See "Make Gas Connection" section.

### To Install Backguard or Island Trim

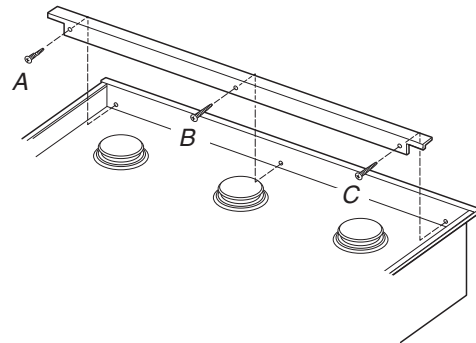
Attach the backguard or island trim as required for your installation. Attachment screws are in the literature package.

### Backguard



- On 48" (121.9 cm) models with both grill and griddle, use screws "A" and "B."
- On 36" (91.4 cm) models with griddle only, use screws "A" and "C."
- All other models use all 3 front screws.
- On 48" (121.9 cm) models, 3 rear screws are required (not shown).
- On 36" (91.4 cm) models, 2 rear screws are required (not shown).

### Island Trim



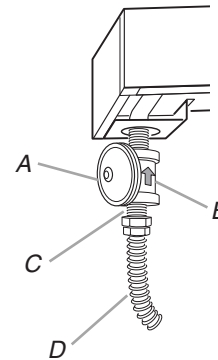
- On 48" (121.9 cm) models with both grill and griddle, use screws "A" and "B."
- On 36" (91.4 cm) models with griddle only, use screws "A" and "C."

## Make Gas Connection

### To Assemble Pressure Regulator:

1. Using 2 or more people, stand the cooktop on its side or back.
2. Connect the flexible stainless steel connector to the pressure regulator using a 1/2" male pipe thread adapter.

A combination of pipe fittings must be used to connect the cooktop to the existing gas line. Shown following is a typical connection. Your connection may be different, according to the supply line type, size and location.



- A. Gas pressure regulator
- B. Regulator - Must be installed with arrow pointing up to cooktop bottom
- C. Adapter - Must have 1/2" male pipe thread
- D. CSA approved flexible stainless steel gas supply line

3. Install the pressure regulator with the arrow pointing up towards the bottom of the burner box and in a position where you can reach the regulator cap.

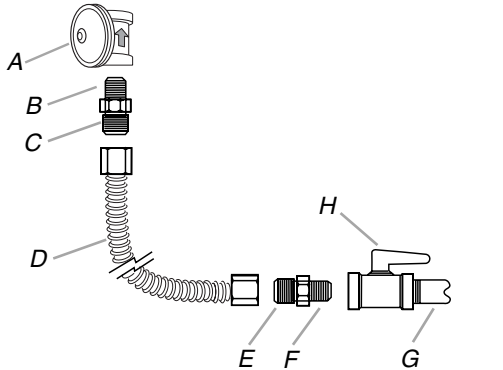
**IMPORTANT:** All connections must be wrench-tightened. Do not make connections to the gas regulator too tight. Making the connections too tight may crack the regulator and cause a gas leak. Do not allow the regulator to turn on the pipe when tightening fittings.

Use only pipe-joint compound made for use with Natural and LP gas. Do not use TEFLON® tape.

You will need to determine the fittings required depending on your installation.

### Typical flexible connection

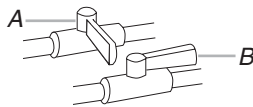
1. Apply pipe-joint compound made for use with LP gas to the smaller thread ends of the flexible connector adapters (see C and F in following illustration).
2. Attach one adapter to the gas pressure regulator and the other adapter to the gas shutoff valve. Tighten both adapters.
3. Use a  $\frac{15}{16}$ " combination wrench and channel lock pliers to attach the flexible connector to the adapters. Check that connector is not kinked.



- |   |  |
|---|--|
| A. Gas pressure regulator                               | E. Use pipe-joint compound.                    |
| B. Use pipe-joint compound.                             | F. Adapter                                     |
| C. Adapter - Must have $\frac{1}{2}$ " male pipe thread | G. $\frac{1}{2}$ " or $\frac{3}{4}$ " gas pipe |
| D. Flexible connector                                   | H. Manual gas shutoff valve                    |

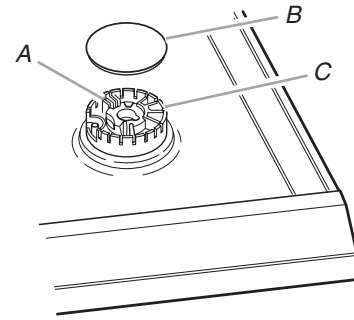
### Complete Connection

1. Open the manual shutoff valve in the gas supply line. The valve is open when the handle is parallel to the gas pipe.



- A. Closed valve  
B. Open valve

2. Test all connections by brushing on an approved noncorrosive leak-detection solution. If bubbles appear, a leak is indicated. Correct any leak found.
3. Remove surface burner caps and grates from parts package. Align notches in burner caps with pins in burner base. Burner caps should be level when properly positioned. If burner caps are not properly positioned, surface burners will not light. Place burner grates over burners and caps.



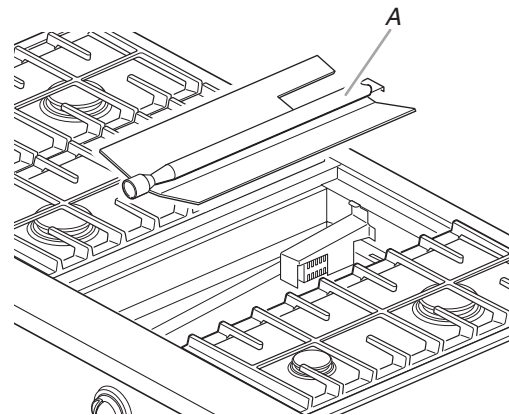
- A. Igniter electrode  
B. Burner cap  
C. Burner base

4. If your cooktop only has surface burners, see "Check Operation of Surface Burners, Grill and Griddle" section in the "Complete Installation" section.
5. If your model was shipped with a grill or griddle, see "Install Grill" or "Install Griddle" section.

### Install Grill

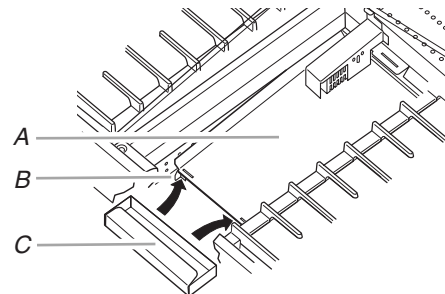
(on some models)

1. Remove twist tie and discard. Lift burner assembly out of basin and set aside.



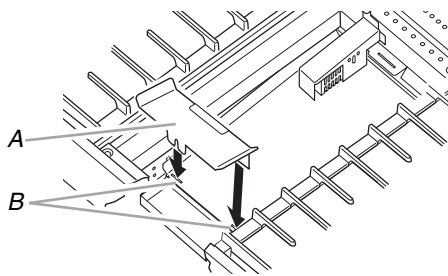
A. Burner assembly

2. Place drip tray on bottom of grill basin and slide the tray toward the back so that it is located side to side and against the locating feet of the rear spill guard.



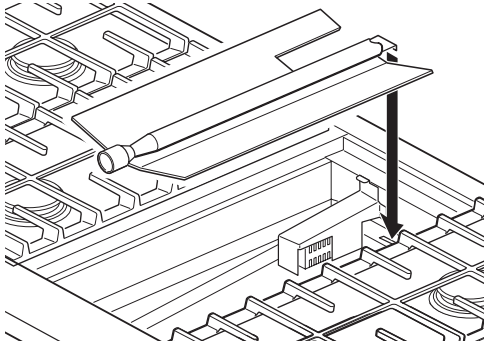
- A. Rear spill guard  
B. Locating feet  
C. Drip tray

3. Insert the front spill guard feet into the slots in the rear spill guard. The rear flange will rest on the burner box.

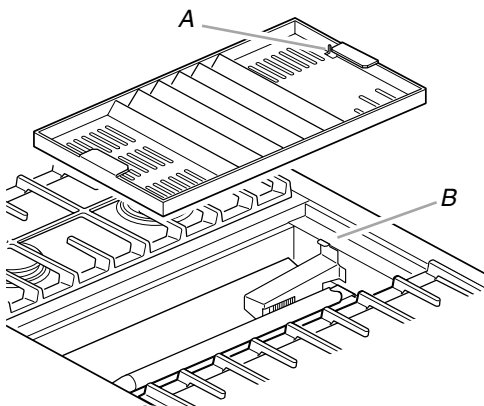


A. Front spill guard  
B. Feet and slots

4. Place burner assembly over spill guard, making sure burner's rear flange is seated in slot.

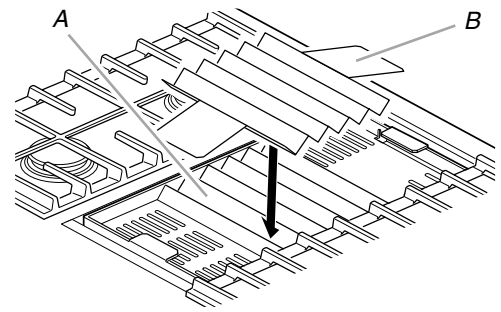


5. Check the surface burner and grill flames. Refer to the "Complete Installation" section.
6. Install the wave tray into the grill. The tab in the left rear corner of the bay must fit through the slot in the left rear corner of the wave tray.



A. Slot for locating tab  
B. Locating tab

7. Place the wave plate on the wave tray. The wave plate must be centered on the wave tray.



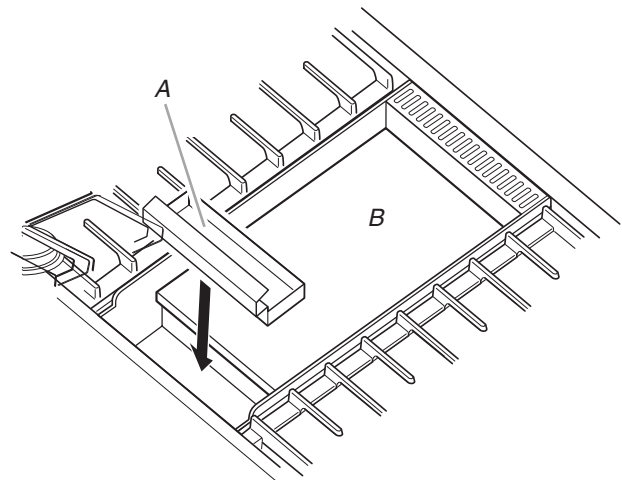
A. Wave tray  
B. Wave plate

8. Replace grill grate.

### Install Griddle (on some models)

The griddle is factory installed.

1. Place drip tray in the well at the front of the griddle. Slide tray toward the back until it stops.



A. Griddle drip tray  
B. Griddle

2. Clean and season griddle before using. Refer to the Use and Care Guide that came with your cooktop.
3. Check the surface burner and griddle flames. Refer to the "Complete Installation" section.

# Complete Installation

## Electronic Ignition System

### Initial Lighting and Gas Flame Adjustments

Surface burners use electronic igniters in place of standing pilots. When the cooktop control knob is turned to the LITE position, the system creates a spark to light the burner. This sparking continues, as long as the control knob is turned to LITE.

The grill and griddle burner use an igniter glow bar that is either on or off in place of standing pilots. When the glow bar is hot, it sends a signal back to the safety valve which opens allowing gas to flow to the grill and griddle burner.

### Check Operation of Surface Burners, Grill and Griddle

## ⚠ WARNING



### Electrical Shock Hazard

Plug into a grounded 3 prong outlet.

Do not remove ground prong.

Do not use an adapter.

Do not use an extension cord.

Failure to follow these instructions can result in death, fire, or electrical shock.

1. Plug into a grounded 3 prong outlet.
2. Push in and turn the surface burners and grill control knobs to the LITE position. For griddles, turn the griddle control knob to a temperature degree mark (300° recommended).  
The surface burner flame should light within 4 seconds. The first time a surface burner is lit it may take longer than 10 seconds to light because of air in the gas line.
3. Check the flame on HI for a blue color. It should be clean and soft in character. No yellow tip, blowing or lifting of flame should occur. Occasional orange flashes are normal and reflect different elements in the air or gas.  
The grill and griddle flame should light in 30 to 40 seconds. The griddle flame cannot be seen, but you should hear it ignite and feel heat from the griddle.
4. After verifying the proper burner operation, turn the control knobs to OFF.

### If burners do not light properly:

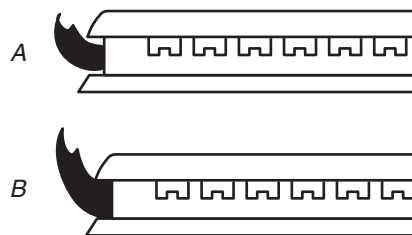
- Turn surface burner control knob to the OFF position.
- Check that the power supply cord is plugged in and the circuit breaker has not tripped or the fuse blown.
- Check that the gas shutoff valves are set to the “open” position.
- Check that burner caps are properly positioned on burner bases.

Recheck operation of surface burners, grill and griddle. If a burner does not light at this point, contact your dealer or authorized service company for assistance.

### Adjust Flame Height

**NOTE:** There is no adjustment for the griddle flame. Gas flow is at 100%, temperature is controlled by a thermostat.

The surface burner or grill “low” flame should be a steady blue flame approximately ¼” (0.64 cm) high.

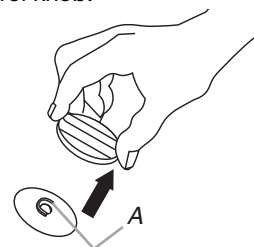


A. Low flame

B. High flame

### If the “low” flame needs to be adjusted:

The flame can be adjusted using the adjustment screw in the center of the valve stem. The valve stem is located directly underneath the control knob.



A. Adjustment screw

1. Remove the control knob.
2. Hold the knob stem with a pair of pliers. Use a small flat-blade screwdriver to turn the screw located in the center of the control knob stem until the flame is the proper size.
3. Replace the control knob.
4. Test the flame by turning the control from LO to HI, checking the flame at each setting.

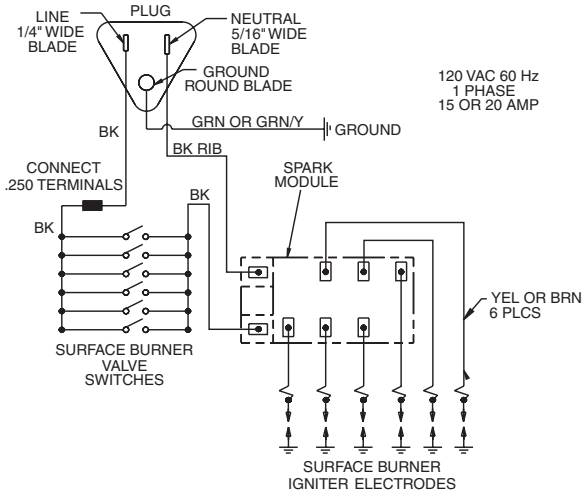
### If you need Assistance or Service:

Please reference the “Assistance or Service” section of the Use and Care Guide or contact the dealer from whom you purchased your cooktop.

# WIRING DIAGRAMS

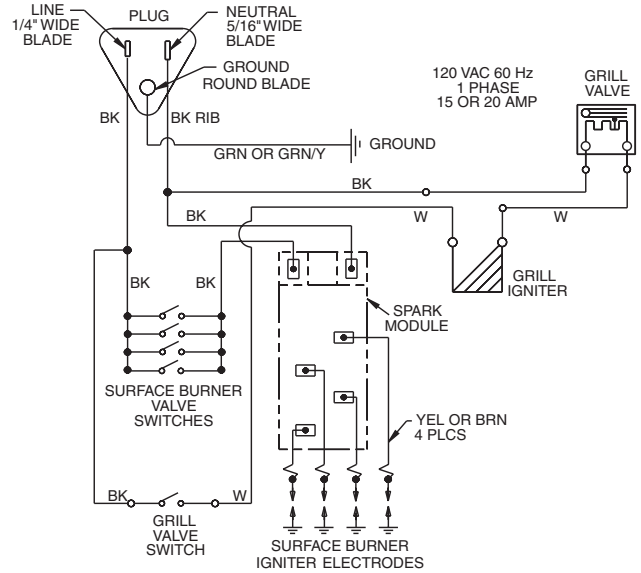
On 36" (91.4 cm) models

## 6 surface burners



SWITCHES ON SURFACE BURNER VALVES:  
ELECTRIC CIRCUIT CLOSED WHEN KNOB IS ROTATED  
55° TO 95° COUNTERCLOCKWISE FROM OFF

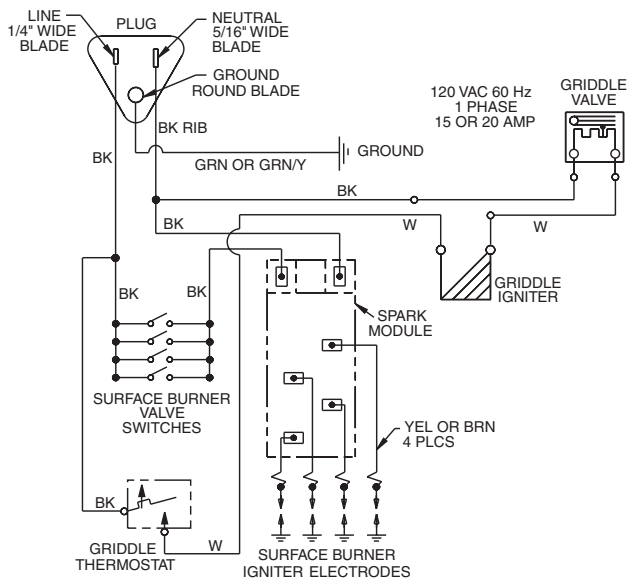
## 4 surface burners with grill



SWITCHES ON SURFACE BURNER VALVES:  
ELECTRIC CIRCUIT CLOSED WHEN KNOB IS ROTATED 55° TO 95° COUNTERCLOCKWISE FROM OFF

SWITCH ON GRILL VALVE:  
ELECTRIC CIRCUIT CLOSED WHEN KNOB IS ROTATED 20° TO 360° COUNTERCLOCKWISE FROM OFF

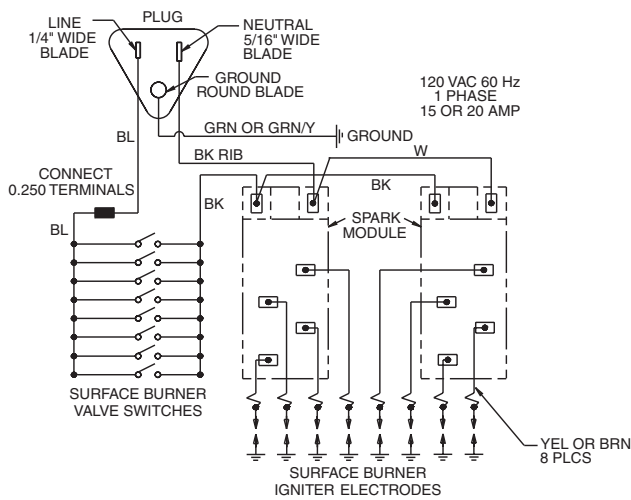
## 4 surface burners with griddle



SWITCHES ON SURFACE BURNER VALVES:  
ELECTRIC CIRCUIT CLOSED WHEN KNOB IS ROTATED  
55° TO 95° COUNTERCLOCKWISE FROM OFF

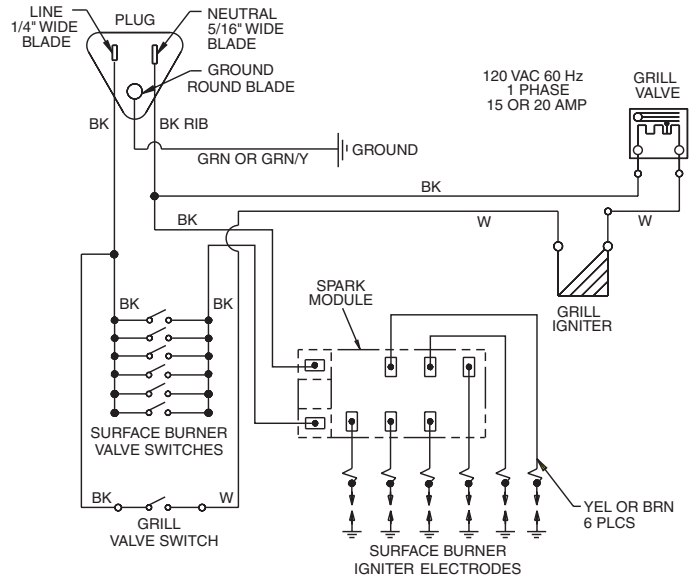
On 48" (121.9 cm) models

8 surface burners



SWITCHES ON SURFACE BURNER VALVES:  
ELECTRIC CIRCUIT CLOSED WHEN KNOB IS ROTATED 55° TO 95° COUNTERCLOCKWISE FROM OFF

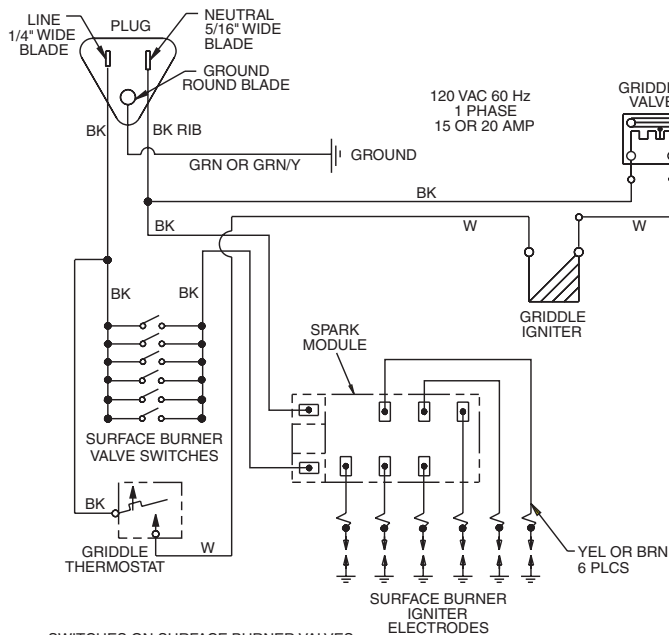
6 surface burners with grill



SWITCHES ON SURFACE BURNER VALVES:  
ELECTRIC CIRCUIT CLOSED WHEN KNOB IS ROTATED 55° TO 95° COUNTERCLOCKWISE FROM OFF

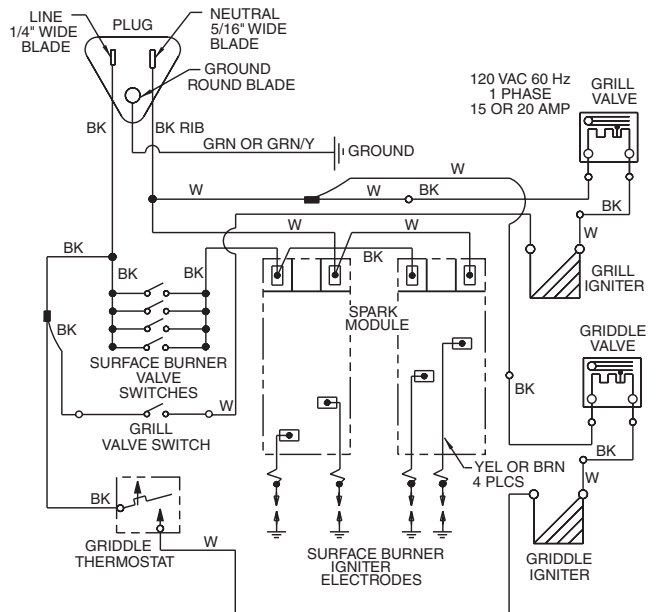
SWITCH ON GRILL VALVE:  
ELECTRIC CIRCUIT CLOSED WHEN KNOB IS ROTATED 20° TO 360° COUNTERCLOCKWISE FROM OFF

6 surface burners with griddle



SWITCHES ON SURFACE BURNER VALVES:  
ELECTRIC CIRCUIT CLOSED WHEN KNOB IS ROTATED 55° TO 95° COUNTERCLOCKWISE FROM OFF

4 surface burners with grill and griddle



SWITCHES ON SURFACE BURNER VALVES:  
ELECTRIC CIRCUIT CLOSED WHEN KNOB IS ROTATED 55° TO 95° COUNTERCLOCKWISE FROM OFF

# SÉCURITÉ DE LA TABLE DE CUISSON

## Votre sécurité et celle des autres est très importante.

Nous donnons de nombreux messages de sécurité importants dans ce manuel et sur votre appareil ménager. Assurez-vous de toujours lire tous les messages de sécurité et de vous y conformer.



Voici le symbole d'alerte de sécurité.

Ce symbole d'alerte de sécurité vous signale les dangers potentiels de décès et de blessures graves à vous et à d'autres.

Tous les messages de sécurité suivront le symbole d'alerte de sécurité et le mot "DANGER" ou "AVERTISSEMENT". Ces mots signifient :

**⚠ DANGER**

Risque possible de décès ou de blessure grave si vous ne suivez pas immédiatement les instructions.

**⚠ AVERTISSEMENT**

Risque possible de décès ou de blessure grave si vous ne suivez pas les instructions.

Tous les messages de sécurité vous diront quel est le danger potentiel et vous disent comment réduire le risque de blessure et ce qui peut se produire en cas de non-respect des instructions.

**AVERTISSEMENT : Si les renseignements dans ce manuel ne sont pas exactement observés, un incendie ou une explosion peut survenir, causant des dommages au produit, des blessures ou un décès.**

- Ne pas entreposer ni utiliser de l'essence ou d'autres vapeurs ou liquides inflammables à proximité de cet appareil ou de tout autre appareil électroménager.
- **QUE FAIRE DANS LE CAS D'UNE ODEUR DE GAZ :**
  - Ne pas tenter d'allumer un appareil.
  - Ne pas toucher à un commutateur électrique.
  - Ne pas utiliser le téléphone se trouvant sur les lieux.
  - Appeler immédiatement le fournisseur de gaz d'un téléphone voisin. Suivre ses instructions.
  - À défaut de joindre votre fournisseur de gaz, appeler les pompiers.
- L'installation et l'entretien doivent être effectués par un installateur qualifié, une agence de service ou le fournisseur de gaz.

**AVERTISSEMENT :** L'odorat ne permet pas toujours la détection d'une fuite de gaz.

Les distributeurs de gaz recommandent l'emploi d'un détecteur de gaz (homologation UL ou CSA).

Pour d'autre information, contacter le fournisseur de gaz local.

En cas de détection d'une fuite de gaz, exécuter les instructions "Que faut-il faire si une odeur de gaz est perceptible".

Dans l'État du Massachusetts, les instructions d'installation suivantes sont applicables :

- Les travaux d'installation et réparation doivent être exécutés par un plombier ou tuyauteur qualifié ou licencié, ou par le personnel qualifié d'une entreprise licenciée par l'État du Massachusetts.
- Si une vanne à boisseau sphérique est utilisée, elle doit comporter une manette "T".
- Si un conduit de raccordement flexible est utilisé, sa longueur ne doit pas dépasser 3 pi.

## EXIGENCES D'INSTALLATION

### Outillage et pièces

Rassembler les outils et pièces nécessaires avant de commencer l'installation. Lire et suivre les instructions fournies avec les outils indiqués ici.

#### Outillage nécessaire

- Clé à molette
- Mètre ruban
- Marqueur ou crayon
- Clé à tuyau
- Tournevis à lame plate
- Clé mixte de  $1\frac{5}{16}$ "
- Clé ou pince
- Composé d'étanchéité des raccords filetés - résistant au propane
- Solution non-corrosive de détection des fuites

#### Pièces fournies

Vérifier que toutes les pièces sont présentes.

- Détendeur
- Grilles de brûleur
- Chapeaux de brûleur
- Plaque de mijotage
- Grille du gril (sur certains modèles)
- Plateau de récupération (sur certains modèles)
- Plaque de protection avant (sur certains modèles)
- Élément inférieur du répartiteur de chaleur (sur certains modèles)
- Élément supérieur du répartiteur de chaleur (sur certains modèles)
- Dossieret
- Garniture en îlot

#### Pièces nécessaires

Vérifier les codes locaux et consulter le fournisseur de gaz. Vérifier l'alimentation en gaz et l'alimentation électrique existantes. Voir les sections "Spécifications électriques" et "Spécifications de l'alimentation en gaz".

### Exigences d'emplacement

**IMPORTANT :** Observer les dispositions de tous les codes et règlements en vigueur. Ne pas obstruer le flux de combustion et la ventilation.

- C'est à l'installateur qu'incombe la responsabilité de respecter les distances de séparation exigées, spécifiées sur la plaque signalétique de l'appareil. La plaque signalétique des numéros de modèle et de série est située sur la face inférieure de la boîte de brûleur de la table de cuisson.

- Il est recommandé d'installer une hotte d'aspiration au-dessus de la table de cuisson. Pour les installations en îlot, une hotte de 48" (122 cm) est recommandée.
- La table de cuisson doit être installée dans un emplacement à l'écart des zones de forts courants d'air, telles que fenêtres, portes et événements ou ventilateurs de chauffage.
- Toutes les ouvertures dans le mur ou le plancher de l'emplacement d'installation de la table de cuisson doivent être scellées.
- Respecter les dimensions indiquées pour la cavité d'installation entre les placards. Ces dimensions constituent les valeurs minimales des dégagements de séparation.
- Une source d'électricité avec liaison à la terre est nécessaire. Voir la section "Spécifications électriques". Une source de gaz adéquate doit être disponible. Voir la section "Spécifications de l'alimentation en gaz".
- De par sa conception, la table de cuisson est suspendue sur le plan de travail, par les rebords des côtés ou de l'arrière.
- Veiller à placer les sources de gaz et d'électricité selon les indications de la section "Emplacements des raccordements au gaz et à l'électricité", pour qu'elles soient accessibles sans déposer de la table de cuisson.
- Prévoir une ouverture dans l'angle arrière gauche de l'enceinte - voir l'illustration - pour le passage de la canalisation de gaz et du câble d'alimentation électrique et pour que l'étiquette signalétique soit visible.

**IMPORTANT :** Pour éviter tout dommage, consulter le constructeur de la maison ou le fabricant des placards pour déterminer si les matériaux utilisés peuvent subir un changement de couleur, une déstratification ou d'autres dommages.

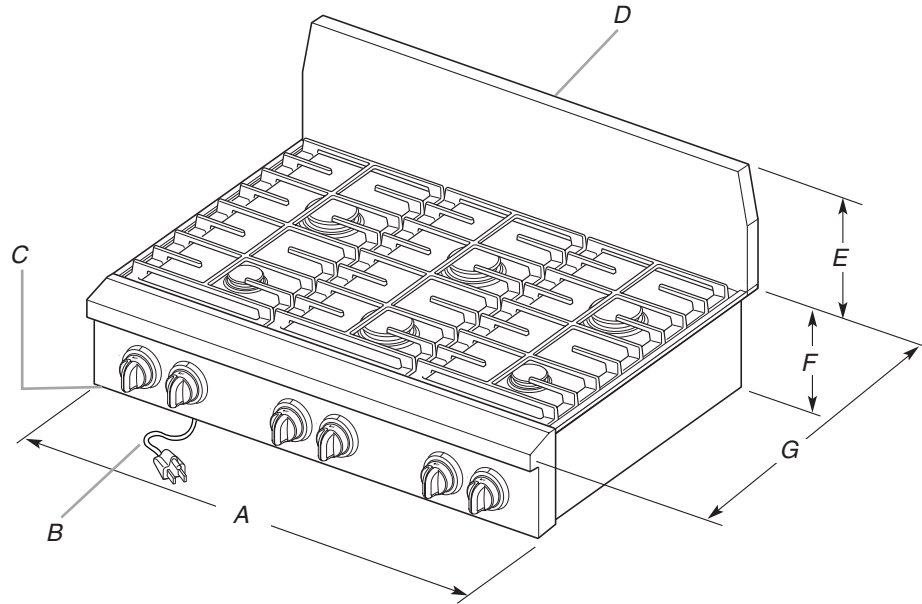
#### Résidence mobile - Spécifications additionnelles à respecter lors de l'installation

L'installation de cette table de cuisson doit être conforme aux dispositions de la norme Manufactured Home Construction and Safety Standard, Title 24 CFR, Part 3280 (anciennement Federal Standard for Mobile Home Construction and Safety, Title 24, HUD Part 280). Lorsque cette norme n'est pas applicable, l'installation doit satisfaire aux critères de la norme Standard for Manufactured Home Installations, ANSI A225.1/NFPA 501A ou aux dispositions des codes locaux.

Au Canada, l'installation de cette table de cuisson doit satisfaire aux stipulations de la version la plus récente de la norme CAN/CSA-A240 ou des codes locaux en vigueur.



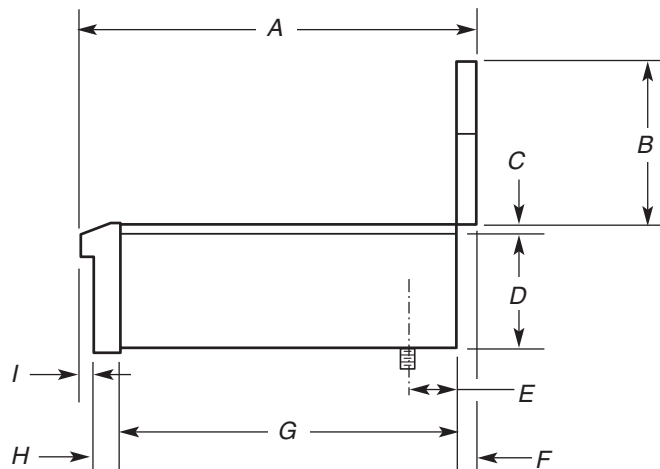
## Dimensions du produit



- A. Table de cuisson de 36" (91,4 cm) : 35<sup>7</sup>/<sub>8</sub>" (91,1 cm)  
 Table de cuisson de 48" (121,9 cm) : 47<sup>7</sup>/<sub>8</sub>" (121,6 cm)
- B. Cordon d'alimentation à 3 broches pour liaison à la terre de 36" (91,4 cm) de long
- C. Plaque signalétique du numéro de modèle et de série (située sur la face inférieure de la boîte de brûleur de la table de cuisson)

- D. Dossieret ou garniture en îlot
- E. Pour le modèle de 48" (121,9 cm) à 8 brûleurs uniquement: 6" (15,2 cm) tous les autres modèles : 9" (22,9 cm)
- F. 7<sup>1</sup>/<sub>2</sub>" (19,1 cm)
- G. 26<sup>1</sup>/<sub>4</sub>" (66,7 cm)

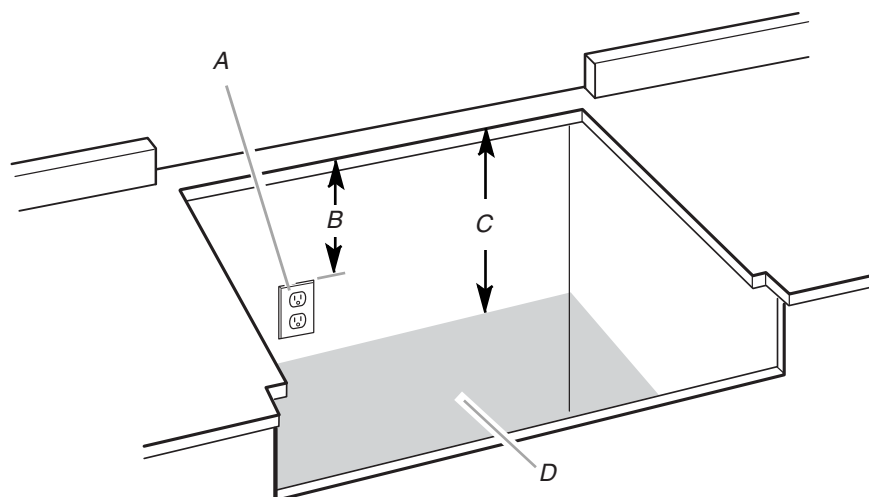
### Vue latérale de la table de cuisson



- A. 26<sup>1</sup>/<sub>4</sub>" (66,7 cm)
- B. Pour le modèle de 48" (121,9 cm) à 8 brûleurs uniquement : 6" (15,2 cm)  
 tous les autres modèles : 9" (22,9 cm)
- C. <sup>3</sup>/<sub>8</sub>" (9,5 mm)
- D. 7<sup>1</sup>/<sub>8</sub>" (18,1 cm)

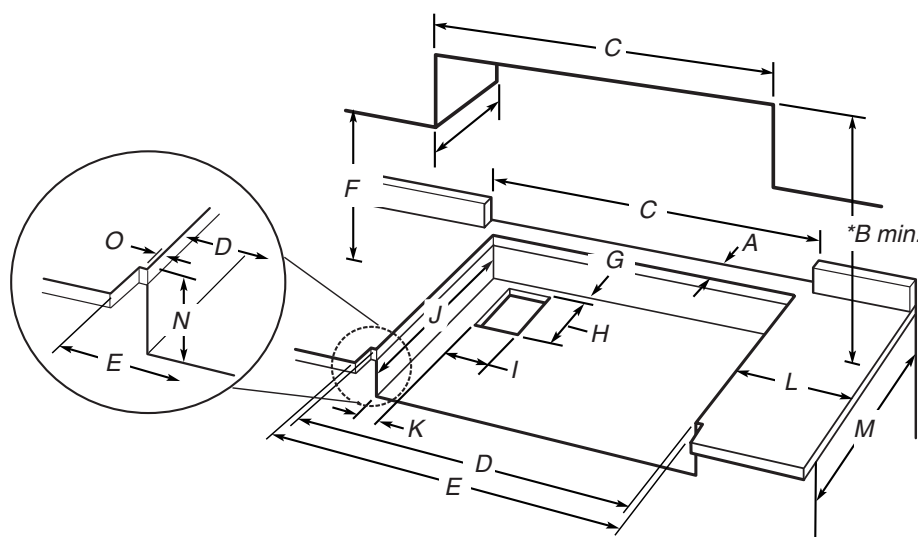
- E. L'entrée de gaz est située à 1<sup>7</sup>/<sub>8</sub>" (4,8 cm) de l'arrière de la boîte de brûleur et à 4<sup>7</sup>/<sub>8</sub>" (12,4 cm) du côté gauche de la boîte de brûleur.
- F. 1<sup>3</sup>/<sub>16</sub>" (30,2 mm)
- G. 22" (55,9 cm)
- H. 2<sup>3</sup>/<sub>16</sub>" (55,6 mm)
- I. <sup>7</sup>/<sub>8</sub>" (22,2 mm)

## Emplacements des raccordements au gaz et à l'électricité



- A. La prise à 3 alvéoles reliée à la terre doit être située sur le côté gauche de l'ouverture à 8" (20,3 cm) max. de la paroi latérale de l'enceinte
- B. Dégagement de 10" (25,4 cm) min. entre plan de travail et partie supérieure de la prise de courant
- C. Distance de 14" (35,6 cm) entre plan de travail et canalisation de gaz
- D. La canalisation de gaz doit être située dans cette zone sur les parois arrière ou latérales, ou bien la canalisation de gaz peut passer à travers le plancher.
- REMARQUE :** Paroi solide et fond de l'enceinte découpée non illustrées.

## Placards - Dimensions à respecter



- A. Voir le tableau.
- B. Voir le tableau.
- C. Voir le tableau.
- D. Voir le tableau.
- E. Voir le tableau.
- F. Dégagement de 18" (45,7 cm) min. entre placard mural et plan de travail
- G. Distance de 3/4" (1,9 cm) entre paroi arrière de l'ouverture découpée du placard et ouverture découpée pour la canalisation de gaz
- H. Profondeur de l'ouverture découpée pour la canalisation de gaz de 6 7/8" (16,1 cm)
- I. Largeur de l'ouverture découpée pour la canalisation de gaz de 4 3/4" (12,1 cm)
- J. Profondeur de l'ouverture découpée du placard de 22 1/4" (56,5 cm)
- K. Distance de 2" (5,1 cm) entre paroi latérale du placard et ouverture découpée pour la canalisation de gaz
- L. Distance min. de 12 5/8" (31,3 cm) entre chaque côté du plan de travail et les parois latérales ou tout autre matériau combustible au-dessus de la surface de cuisson
- M. Profondeur du placard de 24" (61,0 cm)
- N. Distance de 7 1/4" (18,4 cm) entre fond du placard et plan de travail
- O. Encoche - même taille de chaque côté

Dimension	Modèle	A		*B (min.)		C	D	E
		Garniture en îlot	Dosseret	Garniture en îlot	Dosseret			
36" (91,4 cm)	KGCP462K	5" (12,7 cm)	1 3/4" (4,4 cm)	48" (121,9 cm)		36" (91,4 cm)	35 1/4" (89,5 cm)	36" (91,4 cm) ou 35 7/8" (91,1 cm) lorsqu'il n'y a aucun espace
	KGCP463K			49" (124,5 cm)				
48" (121,9 cm)	KGCP482K	6" (15,2 cm)	1 3/4" (4,4 cm)	48" (121,9 cm)	49" (124,5 cm)	48" (121,9 cm)	47 1/4" (120,0 cm)	48" (121,9 cm) ou 47 7/8" (121,6 cm) lorsqu'il n'y a aucun espace
	KGCP483K				5" (12,7 cm)			
	KGCP484K	6" (15,2 cm)	48" (121,9 cm)					
	KGCP487J	5" (12,7 cm)	5" (12,7 cm)	48" (121,9 cm)				

**\*REMARQUES :** La dimension "B" peut être réduite de 6" (15,2 cm) lorsque le fond d'un placard de bois ou de métal est protégé par une planche ignifugée d'au moins 0,25" (6,4 mm) recouverte d'une feuille métallique d'épaisseur égale ou supérieure à : acier calibre 28 MSG, acier inoxydable 0,015" (0,4 mm), aluminium 0,024" (0,6 mm), ou cuivre 0,020" (0,5 mm).

En cas d'installation d'une hotte au-dessus de la table de cuisson, suivre les instructions fournies avec la hotte concernant les dimensions de dégagement à respecter au-dessus de la surface de la table de cuisson.

## Spécifications électriques

### **⚠ AVERTISSEMENT**



#### Risque de choc électrique

- Brancher sur une prise à 3 alvéoles reliée à la terre.
- Ne pas enlever la broche de liaison à la terre.
- Ne pas utiliser un adaptateur.
- Ne pas utiliser un câble de rallonge.
- Le non-respect de ces instructions peut causer un décès, un incendie ou un choc électrique.

**IMPORTANT :** La table de cuisson doit être correctement reliée à la terre en conformité avec les codes et règlements locaux en vigueur, ou en l'absence de tels codes, avec le National Electrical Code, ANSI/NFPA 70 ou le Code canadien des installations électriques, CSA C22.1.

Cette table de cuisson est dotée d'un système d'allumage électronique qui ne fonctionnera pas en cas de branchement dans une prise qui n'est pas correctement polarisée.

Si les codes le permettent et si on utilise un conducteur distinct de liaison à la terre, il est recommandé qu'un électricien qualifié vérifie la qualité de la liaison à la terre.

Pour obtenir un exemplaire de la norme des codes ci-dessus, contacter :

National Fire Protection Association  
One Batterymarch Park  
Quincy, MA 02269

CSA International  
8501 East Pleasant Valley Road  
Cleveland, OH 44131-5575

- L'appareil doit être alimenté par un circuit de 120 V, CA seulement, 60 Hz, 15 ampères, protégé par fusible. On recommande également d'utiliser un fusible ou un disjoncteur temporisé. Il est recommandé de raccorder la table de cuisson sur un circuit distinct exclusif à cet appareil.
- Les systèmes d'allumage électronique fonctionnent avec des limites de tension étendues, mais une liaison à la terre correcte et une polarité appropriée sont nécessaires. Vérifier que la prise fournit une alimentation de 120 V et qu'elle est correctement reliée à la terre.
- Les schémas de câblage sont fournis avec cette table de cuisson. Voir la section "Schémas de câblage".

## Spécifications de l'alimentation en gaz

### **⚠ AVERTISSEMENT**



#### Risque d'explosion

Utiliser une canalisation neuve d'arrivée de gaz approuvée par la CSA International.

Installer un robinet d'arrêt.

Bien serrer chaque organe de connexion de la canalisation de gaz.

En cas de connexion au gaz propane, demander à une personne qualifiée de s'assurer que la pression de gaz ne dépasse pas 36 cm (14 po) de la colonne d'eau.

Par personne qualifiée, on comprend :

le personnel autorisé de chauffage,  
le personnel autorisé d'une compagnie de gaz, et  
le personnel d'entretien autorisé.

Le non-respect de ces instructions peut causer un décès, une explosion ou un incendie.

Observer les dispositions de tous les codes et règlements en vigueur.

**IMPORTANT :** L'installation doit satisfaire aux critères de tous les codes et règlements locaux. En l'absence de code local, l'installation doit satisfaire aux prescriptions de la plus récente édition du code national en vigueur : American National Standard, National Fuel Gas Code ANSI Z223.1 ou CAN/CGA B149.

**IMPORTANT :** Les tests de fuite de la table de cuisson doivent être effectués selon les instructions du fabricant.

### Type de gaz

#### Gaz naturel :

La conception de cette table de cuisson a été homologuée par CSA International pour l'alimentation au gaz naturel, ou pour l'alimentation au propane après conversion adéquate.

- Cette table de cuisson a été configurée à l'usine pour l'alimentation au gaz naturel. Pour effectuer la conversion pour une alimentation au propane, voir les instructions de conversion de gaz fournies dans le sachet de documentation. La plaque signalétique des numéros de modèle et de série située sur la face inférieure (à gauche) de la boîte de brûleur indique les types de gaz utilisables. Si le type de gaz disponible n'est pas mentionné sur la plaque signalétique, consulter le fournisseur local.

#### Conversion pour l'alimentation au propane :

L'opération de conversion doit être exécutée par un technicien de réparation qualifié.

Ne pas entreprendre de convertir la table de cuisson pour l'utilisation d'un gaz différent de celui indiqué sur la plaque signalétique sans d'abord consulter le fournisseur de gaz. Voir les instructions de conversion de gaz fournies dans le sachet de documentation.

## Canalisation de gaz

- Installer une canalisation de gaz rigide de ¾" (1,9 cm) jusqu'à l'emplacement d'installation de la table de cuisson. L'emploi d'une canalisation de plus petit diamètre ou plus longue peut causer une déficience du débit d'alimentation. On doit utiliser un composé d'étanchéité des tuyauteries résistant à l'action du gaz propane. Ne pas utiliser de ruban TEFLON<sup>†</sup>. Pour l'alimentation au propane, le diamètre des canalisations doit être de ½" ou plus. En général, le fournisseur de gaz propane détermine les matériaux à utiliser et le diamètre approprié.

### Raccord métallique flexible :

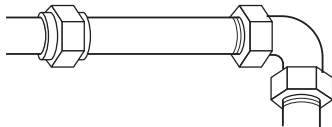
- Si les codes locaux le permettent, utiliser un connecteur à gaz flexible en acier inoxydable de 5/8", conçu par CSA pour raccorder la table de cuisson à la canalisation rigide d'alimentation en gaz.



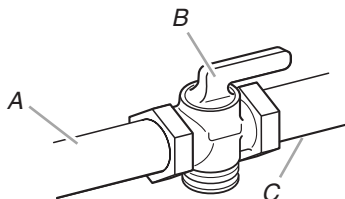
- Un raccord avec filetage mâle de ½" (1,3 cm) est nécessaire pour la connexion sur le raccord à filetage femelle à l'entrée du détendeur de la table de cuisson.
- Ne pas déformer/écraser/endommager le tube métallique flexible lors d'un déplacement de la table de cuisson.

### Raccordement par un ensemble rigide :

On doit utiliser une combinaison de raccords pour réaliser un raccordement rigide entre la table de cuisson et la canalisation de gaz. Le tuyau rigide doit se trouver au même niveau que le raccord de connexion de la table de cuisson. On doit veiller à ne soumettre les sections de canalisation d'alimentation à aucun effort de traction ou flexion pour que la table de cuisson soit d'aplomb et correctement alignée.



- Robinet d'arrêt nécessaire : La canalisation d'alimentation doit comporter un robinet d'arrêt manuel. Le robinet d'arrêt manuel doit être séparé de la table de cuisson, mais doit se trouver dans la même pièce. La canalisation doit se trouver en un endroit facilement accessible pour les manœuvres d'ouverture/fermeture. Ne pas entraver l'accès au robinet d'arrêt manuel. Le robinet d'arrêt manuel est prévu pour ouvrir ou fermer l'alimentation en gaz de la table de cuisson.



A. Canalisation de gaz  
B. Robinet d'arrêt manuel - position d'ouverture  
C. Vers table de cuisson

## Détendeur

Le détendeur fourni avec cette table de cuisson doit être utilisé. La pression d'alimentation du détendeur doit être comme suit pour un fonctionnement correct :

### Gaz naturel :

Pression minimum : 6" (15,2 cm) (colonne d'eau)

Pression maximum : 7" à 14" (17,8 cm à 35,5 cm) (colonne d'eau)

### Gaz propane :

Pression minimum : 11" (27,9 cm) (colonne d'eau)

Pression maximum : 14" (35,5 cm) (colonne d'eau)

En cas d'incertitude quant à la pression d'alimentation à établir, contacter le fournisseur de gaz local.

## Caractéristiques d'alimentation du brûleur

Les débits thermiques indiqués sur la plaque signalétique correspondent à une altitude d'utilisation inférieure à 2000 pi (609,6 m).

Lorsque l'appareil est utilisé à une altitude supérieure à 2000 pi (609,6 m), on doit réduire le débit thermique indiqué de 4 % pour chaque tranche de 1000 pi (304,8 m) au-dessus du niveau de la mer (non applicable au Canada).

## Test de pressurisation de la canalisation de gaz

### Pressurisation à une pression supérieure à ½ lb/po<sup>2</sup> (14" - colonne d'eau)

Lors de tout test de pressurisation de ce système à une pression supérieure à ½ lb/po<sup>2</sup> (3,5 kPa), on doit déconnecter la table de cuisson et son robinet d'arrêt individuel de la canalisation de gaz.

### Pressurisation à une pression relative de ½ lb/po<sup>2</sup> (14" - colonne d'eau) ou moins

Lors de tout test de pressurisation de la canalisation de gaz à une pression égale ou inférieure à ½ lb/po<sup>2</sup> (3,5 kPa), on doit isoler la table de cuisson de la canalisation de gaz par fermeture de son robinet d'arrêt manuel individuel.

†TEFLON est une marque déposée de E.I. Du Pont De Nemours and Company.

# INSTRUCTIONS D'INSTALLATION

## Installation de la table de cuisson

### **AVERTISSEMENT**

#### Risque du poids excessif

Utiliser deux ou plus de personnes pour déplacer et installer la table de cuisson.

Le non-respect de cette instruction peut causer une blessure au dos ou d'autre blessure.

Prendre note des numéros de modèle et de série avant d'installer la table de cuisson. Les deux numéros sont situés sur la partie inférieure avant gauche de la boîte de brûleur.

Déballer les pièces fournies avec la table de cuisson. Les pièces expédiées avec la table de cuisson dépendent du modèle commandé. Voir la section "Outillage et pièces" pour une liste complète des pièces fournies avec la table de cuisson.

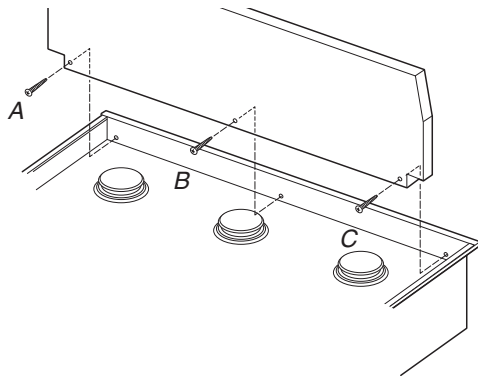
Déterminer l'emplacement final de la table de cuisson.

Le détendeur et le connecteur de la canalisation de gaz flexible en acier inoxydable peuvent être raccordés à la table de cuisson maintenant ou après l'installation de la table de cuisson dans l'ouverture. Voir la section "Raccordement au gaz".

### Installation d'un dossieret ou garniture en îlot

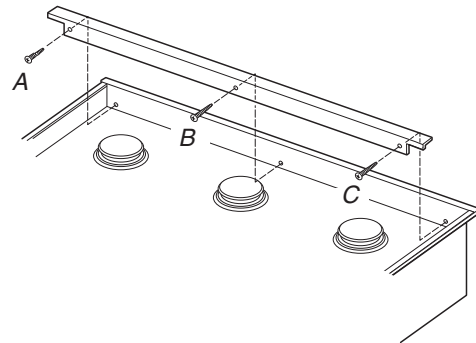
Fixer le dossieret ou la garniture en îlot en fonction des exigences de l'installation. Des vis de fixation se trouvent dans le sachet de documentation.

#### Dossieret



- Sur les modèles de 48" (121,9 cm) avec à la fois gril et plaque à frirer, utiliser les vis "A" et "B".
- Sur les modèles de 36" (91,4 cm) avec plaque à frirer seulement, utiliser les vis "A" et "C".
- Pour tous les autres modèles, utiliser les 3 vis avant.
- Sur les modèles de 48" (121,9 cm), 3 vis arrière sont nécessaires (non illustrées).
- Sur les modèles de 36" (91,4 cm), 2 vis arrière sont nécessaires (non illustrées).

#### Garniture en îlot



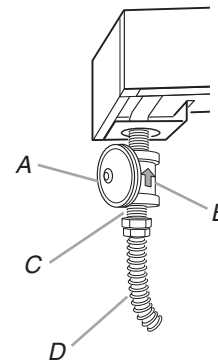
- Sur les modèles de 48" (121,9 cm) avec à la fois gril et plaque à frirer, utiliser les vis "A" et "B".
- Sur les modèles de 36" (91,4 cm) avec plaque à frirer seulement, utiliser les vis "A" et "C".

## Raccordement au gaz

### Assemblage du détendeur :

1. Placer la table de cuisson en appui sur le côté ou la face arrière; avec l'aide de deux personnes ou plus.
2. Connecter le raccord flexible d'acier inoxydable au détendeur - utiliser un raccord d'adaptation comportant un filetage mâle de 1/2" (NPT).

On doit utiliser une combinaison de raccords de tuyauterie pour raccorder la table de cuisson à l'alimentation en gaz existante. On voit ci-dessous une illustration d'un raccordement typique. Le raccordement peut varier, selon le type d'alimentation, la dimension et l'emplacement.



A. Détendeur

B. Détendeur - Doit être installé avec la flèche pointant vers le haut (vers le fond de la table de cuisson).

C. Raccord d'adaptation - avec filetage mâle NPT 1/2"

D. Canalisation flexible d'alimentation en gaz (acier inoxydable) approuvée par la CSA

- Orienter la flèche du détendeur vers le haut, vers le fond de la boîte des brûleurs et de telle manière que le chapeau du détendeur soit accessible.

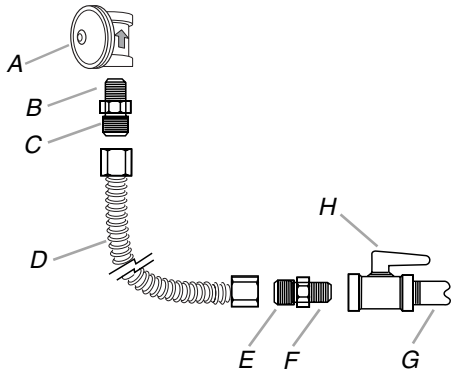
**IMPORTANT :** Tous les raccords doivent être bien serrés à l'aide d'une clé. Ne pas serrer excessivement la connexion sur le détendeur. Un serrage excessif pourrait provoquer une fissuration du détendeur et une fuite de gaz. Lors du serrage d'un raccord, empêcher le détendeur de tourner sur le tuyau.

Utiliser uniquement un composé d'étanchéité des tuyauteries conçu pour l'utilisation avec le gaz naturel ou le propane. Ne pas utiliser de ruban TEFLON®.

Il sera nécessaire de choisir les raccords à utiliser en fonction de la configuration d'installation.

### Raccordement typique par raccord flexible

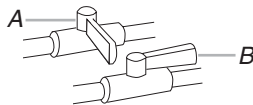
- Appliquer un composé d'étanchéité des filetages résistant au propane sur l'extrémité filetée la plus petite des adaptateurs de raccord flexible (voir C et F ci-dessous).
- Fixer un raccord d'adaptation sur le régulateur de pression du gaz et l'autre raccord d'adaptation sur le robinet d'arrêt de la canalisation de gaz. Serrer les deux raccords d'adaptation.
- Utiliser une clé mixte de  $15/16$ " et une pince multiprise pour fixer le raccord flexible sur les raccords d'adaptation. Veiller à ne pas déformer/écraser le raccord flexible.



- |   |                                       |
|---|---------------------------------------|
| A. Détendeur  | E. Appliquer un composé d'étanchéité. |
| B. Appliquer un composé d'étanchéité.                       | F. Raccord d'adaptation               |
| C. Raccord d'adaptation - avec filetage mâle NPT de $1/2$ " | G. Tuyau de gaz de $1/2$ " ou $3/4$ " |
| D. Raccord flexible   | H. Robinet d'arrêt manuel             |

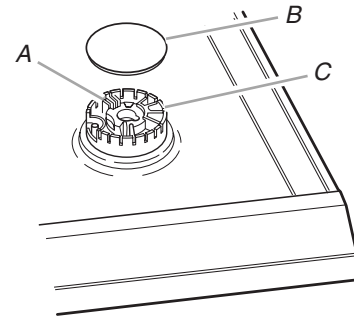
### Compléter le raccordement

- Ouvrir le robinet d'arrêt manuel sur la canalisation de gaz. Le robinet est ouvert lorsque la manette est parallèle à la canalisation.



- A. Robinet fermé  
B. Robinet ouvert

- Vérifier tous les raccords en les badigeonnant d'une solution de détection des fuites non corrosive approuvée. L'apparition de bulles indique une fuite. Réparer toute fuite éventuelle.
- Ôter les chapeaux de brûleur de surface et les grilles du sachet de pièces. Aligner les encoches des chapeaux de brûleur avec les broches dans la base de chaque brûleur. Un chapeau de brûleur correctement placé doit être horizontal. Si le chapeau de brûleur n'est pas correctement placé, le brûleur ne peut s'allumer. Placer les grilles de brûleur sur les brûleurs et chapeaux.

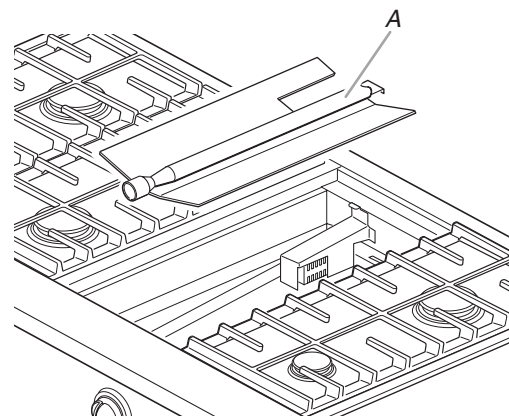


- A. Électrode d'allumage  
B. Chapeau de brûleur  
C. Base du brûleur

- Si la table de cuisson comporte seulement des brûleurs de surface, consulter la section "Vérification du fonctionnement des brûleurs de surface, du gril et de la plaque à frire" dans la section "Achever l'installation".
- Si votre modèle a été expédié avec un gril ou une plaque à frire, consulter la section "Installation du gril" ou "Installation de la plaque à frire".

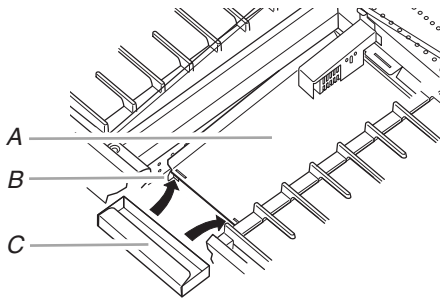
### Installation du gril (sur certains modèles)

- Enlever et jeter l'attache torsadée. Soulever le brûleur pour le retirer du bassin; conserver le brûleur à part.



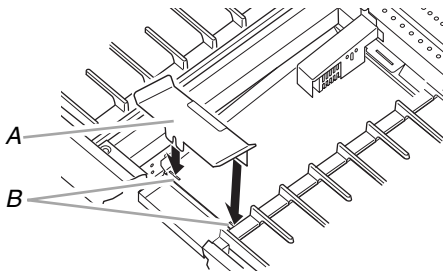
A. Brûleur

- Placer le plateau de récupération au fond du bassin du gril; faire glisser le plateau vers l'arrière pour le placer côte à côte contre le pied de positionnement de la plaque de protection arrière.



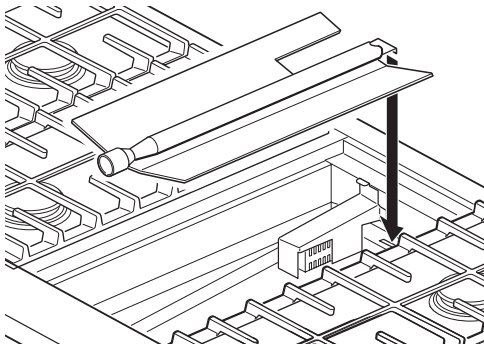
A. Plaque de protection arrière  
B. Pied de positionnement  
C. Plateau de récupération

- Insérer les pieds de la plaque de protection avant dans les fentes d'insertion de la plaque de protection arrière. Le bord arrière reposera sur la boîte du brûleur.



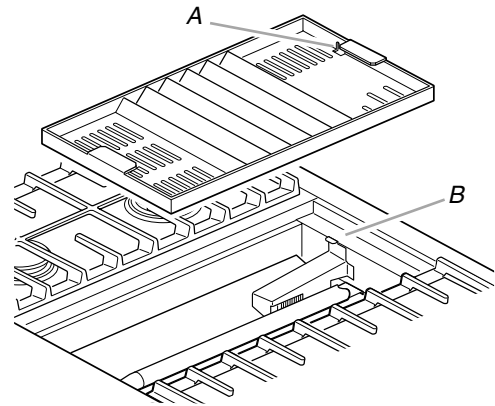
A. Plaque de protection avant  
B. Pieds et fentes d'insertion

- Placer le brûleur par-dessus la plaque de protection; veiller à engager la patte arrière du brûleur dans son logement.



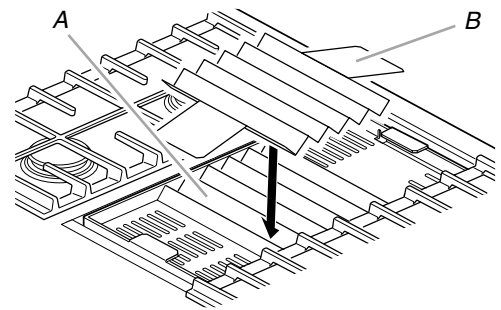
- Contrôler les flammes sur les brûleurs du gril et de la table de cuisson. Voir la section "Achever l'installation".

- Installer l'élément inférieur du répartiteur de chaleur dans le gril. La patte dans l'angle arrière gauche de l'espace d'installation doit s'engager dans l'ouverture située dans l'angle arrière gauche de l'élément inférieur du répartiteur de chaleur.



A. Ouverture pour patte de positionnement  
B. Patte de positionnement

- Placer l'élément supérieur du répartiteur de chaleur sur l'élément inférieur du répartiteur de chaleur. L'élément supérieur du répartiteur de chaleur doit être centré par rapport à l'élément inférieur du répartiteur de chaleur.



A. Élément inférieur du répartiteur de chaleur  
B. Élément supérieur du répartiteur de chaleur

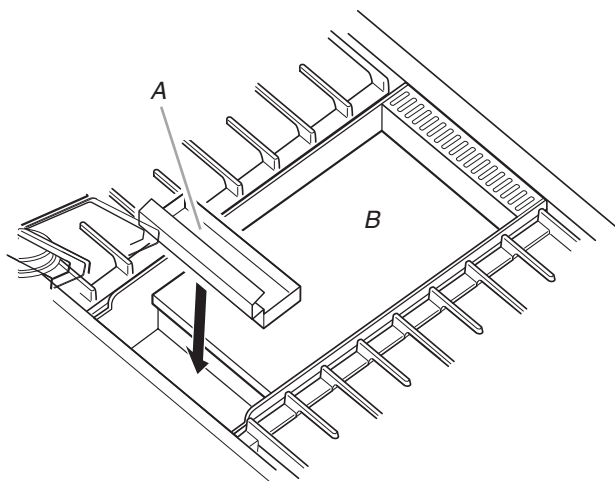
- Réinstaller la grille du gril.

## Installation de la plaque à frire

(sur certains modèles)

La plaque à frire est installée à l'usine.

1. Placer le plateau de récupération dans la cavité à l'avant de la plaque à frire. Faire glisser le plateau vers l'arrière jusqu'à la position de butée.



A. Plateau de récupération de la plaque à frire  
B. Plaque à frire

2. Avant la première utilisation, nettoyer la plaque à frire et procéder au huilage préparatoire. Voir les instructions dans le Guide d'utilisation et d'entretien fourni avec la table de cuisson.
3. Contrôler les flammes sur les brûleurs de la table de cuisson et de la plaque à frire. Voir la section "Achever l'installation".

## Achever l'installation

### Système d'allumage électronique

#### Allumage initial et réglages des flammes

À la place de flammes de veille, les brûleurs de surface sont dotés d'un allumeur électronique. Lorsqu'on place le bouton de commande d'un brûleur de la table de cuisson à la position LITE (allumage), le système génère des étincelles pour l'allumage du brûleur. La génération d'étincelles se poursuit aussi longtemps que le bouton de commande est laissé à la position LITE.

À la place d'une flamme de veille permanente les brûleurs du gril et de la plaque à frire sont dotés d'un dispositif d'allumage à barre incandescente; la barre incandescente est sous tension (allumage) ou n'est pas alimentée. Lorsque la barre incandescente est chaude, elle émet à destination de l'électrovanne de sécurité un signal qui commande l'admission du gaz (ouverture de l'électrovanne) pour l'alimentation des brûleurs du gril et de la plaque à frire.

#### Vérification du fonctionnement des brûleurs de surface, du gril et de la plaque à frire.

### ⚠ AVERTISSEMENT



#### Risque de choc électrique

**Brancher sur une prise à 3 alvéoles reliée à la terre.**

**Ne pas enlever la broche de liaison à la terre.**

**Ne pas utiliser un adaptateur.**

**Ne pas utiliser un câble de rallonge.**

**Le non-respect de ces instructions peut causer un décès, un incendie ou un choc électrique.**

1. Brancher sur une prise à 3 alvéoles reliée à la terre.
2. Enfoncer et tourner les boutons de commande des brûleurs de surface et du gril à la position LITE. Pour les plaques à frire, tourner le bouton de commande de la plaque à frire à un repère de degré de température (300° recommandé).

Le gaz doit s'enflammer sur le brûleur de surface en moins de 4 secondes. Lors de l'allumage initial du brûleur de surface, le délai d'allumage peut être supérieur à 10 secondes du fait de la présence d'air dans la canalisation de gaz.



3. Vérifier que la flamme est bleue à la position HI (élevé). Elle doit être propre et douce. On ne doit pas observer de pointe jaune, ni d'effet de soufflage ou de séparation entre les flammes et le brûleur. Il est normal d'observer parfois des éclairs oranges; ceci est dû à différents éléments dans l'air ou le gaz.

Le gaz doit s'enflammer sur le brûleur de la grille et de la plaque à frire en 30 à 40 secondes. La flamme de la plaque à frire n'est pas visible, mais vous devriez l'entendre s'allumer et percevoir de la chaleur provenant de la plaque à frire.

4. Après avoir vérifié le bon fonctionnement du brûleur, tourner les boutons de commande à OFF (arrêt).

**Si le brûleur ne s'allume pas correctement :**

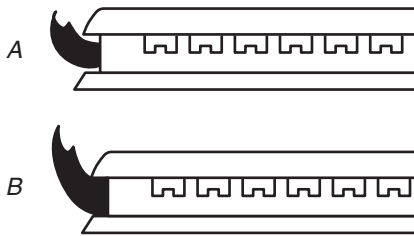
- Ramener le bouton de commande du brûleur de surface à la position OFF.
- Vérifier que le cordon d'alimentation est branché et correctement alimenté (fusible grillé? disjoncteur ouvert?)
- Vérifier que chaque robinet d'arrêt est ouvert.
- Vérifier que le chapeau de brûleur est correctement placé sur la base du brûleur.

Vérifier à nouveau le fonctionnement des brûleurs de surface, du gril et de la plaque à frire. Si à ce point un brûleur ne s'allume pas, contacter le revendeur ou un dépanneur agréé.

**Réglage de la taille des flammes**

**REMARQUE :** Il n'y a pas de réglage pour la flamme de la plaque à frire. Le débit de gaz est à 100 %, la température est contrôlée par un thermostat.

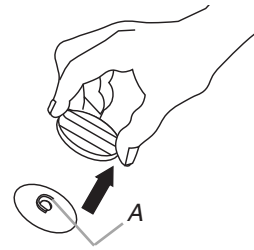
Pour le réglage au débit thermique minimum, on doit observer des flammes stables bleues de 1/4" (0,64 cm) sur le brûleur de surface ou le gril.



A. Débit thermique minimum  
B. Débit thermique maximum

**S'il est nécessaire de régler la taille des flammes pour le débit thermique minimum:**

La vis de réglage au centre de la tige de commande du robinet permet de régler la taille des flammes. La tige de commande est située directement au-dessous du bouton de commande.



A. Vis de réglage

1. Ôter le bouton de commande.
2. Immobiliser la tige de commande avec une pince. Utiliser un petit tournevis à lame plate pour faire tourner la vis située au centre de la tige de commande; ajuster les flammes à la taille désirée.
3. Réinstaller le bouton de commande.
4. Tester le fonctionnement du brûleur : faire passer le bouton de commande de la position LO (bas) à la position HI (élevé) et observer les flammes pour chaque position.

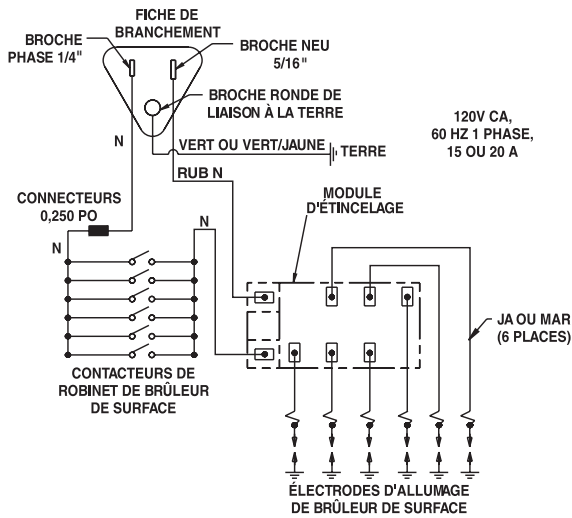
**Si vous avez besoin d'assistance ou de service :**

Consulter la section "Assistance ou service" du Guide d'utilisation et d'entretien ou contacter le marchand chez qui vous avez acheté votre table de cuisson.

# SCHÉMAS DE CÂBLAGE

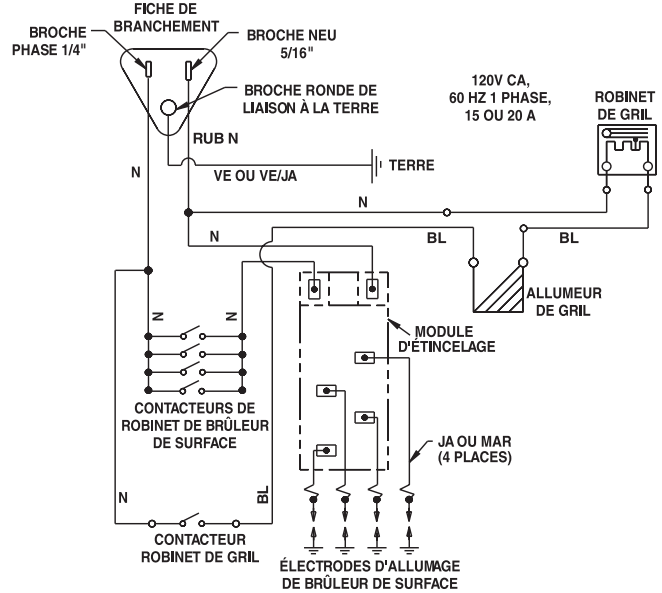
Sur les modèles de 36" (91,4 cm)

## 6 brûleurs de surface



CONTACTEURS SUR ROBINETS DE BRÛLEUR DE SURFACE :  
CIRCUIT ÉLECTRIQUE FERMÉ LORSQU'ON FAIT TOURNER LE  
BOUTON DE 55 À 95° DANS LE SENS ANTIHORAIRE DEPUIS  
LA POSITION D'ARRÊT (OFF)

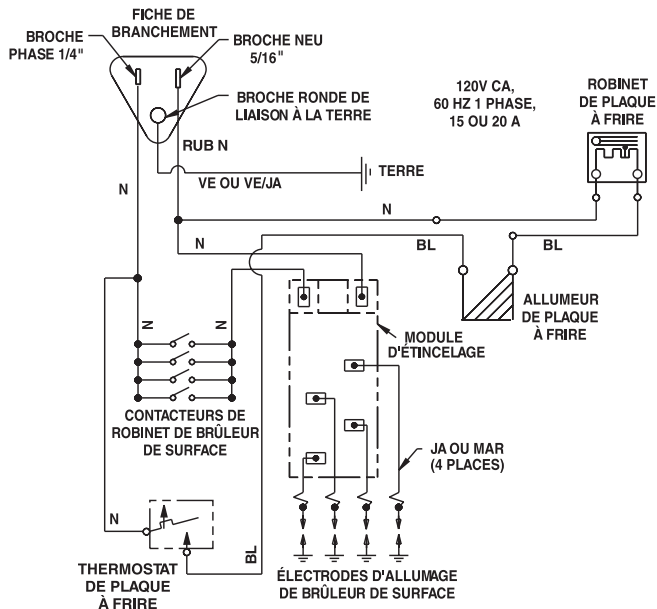
## 4 brûleurs de surface avec grill



CONTACTEURS SUR ROBINETS  
DE BRÛLEUR DE SURFACE :  
CIRCUIT ÉLECTRIQUE FERMÉ  
LORSQU'ON FAIT TOURNER LE  
BOUTON DE 55 À 95° DANS LE  
SENS ANTIHORAIRE DEPUIS LA  
POSITION D'ARRÊT (OFF)

CONTACTEURS SUR ROBINET DE GRILL :  
CIRCUIT ÉLECTRIQUE FERMÉ LORSQU'ON  
FAIT TOURNER LE BOUTON DE 20 À 360°  
DANS LE SENS ANTIHORAIRE DEPUIS LA  
POSITION D'ARRÊT (OFF)

## 4 brûleurs de surface avec plaque à frire



CONTACTEURS SUR ROBINETS DE BRÛLEUR DE SURFACE :  
CIRCUIT ÉLECTRIQUE FERMÉ LORSQU'ON FAIT TOURNER LE  
BOUTON DE 55 À 95° DANS LE SENS ANTIHORAIRE DEPUIS  
LA POSITION D'ARRÊT (OFF)



**9759405C**

© 2008. All rights reserved.  
Tous droits réservés.

® Registered Trademark/TM Trademark of KitchenAid, U.S.A., KitchenAid Canada licensee in Canada  
© Marque déposée/TM Marque de commerce de KitchenAid, U.S.A., Emploi sous licence par KitchenAid Canada au Canada

1/08  
Printed in U.S.A.  
Imprimé aux É.-U.